

3D DISPLAYS

Blocks & Shapes

Part of a huge range of acrylic displays and
point of sale equipment.



UK Manufacturers



Custom Made Products



Stock Products

01795 532947 • www.3ddisplays.co.uk

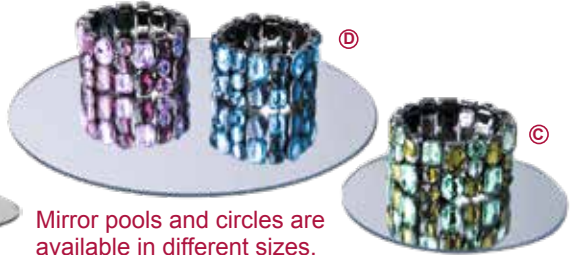
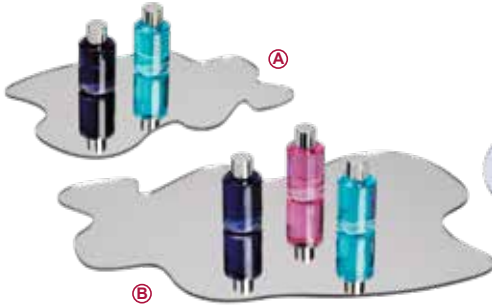


To print on these blocks contact us on 01795 532947 or e-mail bespoke@3ddisplays.co.uk.

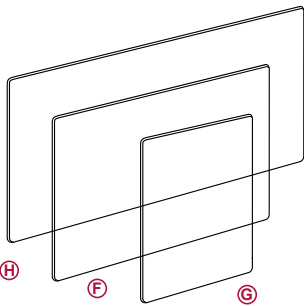
	Code	Product	Material	Height	Width	Depth	£ ex VAT
A	L6005C	5cm solid block	Clear acrylic 40mm	4	5	5 cm	£3.91
B	L6008C	7.5cm solid block	Clear acrylic 40mm	4	7.5	7.5 cm	£7.11
C	L6010C	10cm solid block	Clear acrylic 40mm	4	10	10 cm	£10.17
D	L6005F	5cm solid block	Frost acrylic 40mm	4	5	5 cm	£4.77
E	L6008F	7.5cm solid block	Frost acrylic 40mm	4	7.5	7.5 cm	£7.82
F	L6010F	10cm solid block	Frost acrylic 40mm	4	10	10 cm	£11.50
G	L6005B	5cm solid block	Black acrylic 40mm	4	5	5 cm	£4.33
H	L6008B	7.5cm solid block	Black acrylic 40mm	4	7.5	7.5 cm	£7.93
I	L6010B	10cm solid block	Black acrylic 40mm	4	10	10 cm	£11.61
J	L5520C	20cm solid slab	Clear acrylic 25mm	2.5	20	15 cm	£16.70
K	L5515C	15cm solid slab	Clear acrylic 25mm	2.5	15	10 cm	£8.79
L	L5520F	20cm solid slab	Frost acrylic 25mm	2.5	20	15 cm	£17.22
M	L5515F	15cm solid slab	Frost acrylic 25mm	2.5	15	10 cm	£10.18
N	L5520B	20cm solid slab	Black acrylic 25mm	2.5	20	15 cm	£18.15
O	L5515B	15cm solid slab	Black acrylic 25mm	2.5	15	10 cm	£9.66



	Code	Product	Material	Height	Width	Depth	£ ex VAT
A	A5610C	10cm semicircle	Clear acrylic 25mm	2.5	10	5 cm	£5.16
B	A5615C	15cm semicircle	Clear acrylic 25mm	2.5	15	7.5 cm	£9.00
C	A5610F	10cm semicircle	Frost acrylic 25mm	2.5	10	5 cm	£5.24
D	A5615F	15cm semicircle	Frost acrylic 25mm	2.5	15	7.5 cm	£9.40
E	A5215C	15cm star	Clear acrylic 25mm	2.5	15	14.5 cm	£12.53
F	A5210C	10cm star	Clear acrylic 25mm	2.5	10	9.5 cm	£7.23
G	A5115F	15cm star	Frost acrylic 25mm	2.5	15	14.5 cm	£13.55
H	A5110F	10cm star	Frost acrylic 25mm	2.5	10	9.5 cm	£7.76
I	L6113B	12.5cm solid plinth	Black acrylic 40mm	12.5	5	4 cm	£10.50
J	L6110B	10cm solid plinth	Black acrylic 40mm	10	5	4 cm	£8.40
K	L6108B	7.5cm solid plinth	Black acrylic 40mm	7.5	5	4 cm	£6.95
L	L6105B	5cm solid plinth	Black acrylic 40mm	5	5	4 cm	£4.33
	L61SET	Solid plinth: set of 4	Black acrylic 40mm				£28.67



Mirror pools and circles are available in different sizes.



We can cut panels to the shape and size you require.



	Code	Product	Material	Height	Width	Depth	£ ex VAT
A	A1020M	20cm mirror pool	Mirror acrylic 3mm		20	13.5 cm	£2.30
B	A1030M	30cm mirror pool	Mirror acrylic 3mm		30	20 cm	£4.34
	A1040M	40cm mirror pool	Mirror acrylic 3mm		40	27 cm	£8.44
C	A0513M	12.5cm mirror circle	Mirror acrylic 3mm		12.5	12.5 cm	£1.48
D	A0523M	22.5cm mirror circle	Mirror acrylic 3mm		22.5	22.5 cm	£3.76
	A0533M	32.5cm mirror circle	Mirror acrylic 3mm		32.5	32.5 cm	£7.66
E	A85000	Mirror multiplier	Mirror acrylic 3mm	18	30	7.5 cm	£5.33
F	A30A40	A4 polished panel	Clear acrylic 2mm	29.7	21	cm	£1.53
G	A30A30	A3 polished panel	Clear acrylic 2mm	42	29.7	cm	£2.58
H	A30600	60x30cm polished panel	Clear acrylic 2mm	60	30	cm	£3.77

1. In the process of continual improvement and updating products, we reserve the right to alter the design and/or specifications of any goods described in this catalogue.

2. All prices are subject to alteration without prior notice and are exclusive of carriage and VAT.

3. Whilst delivery dates are given in good faith, no responsibility can be accepted for strikes, accidents or delays in transit.

4. It is company policy to request payment with order. Credit cards are welcomed, other options include proforma invoice or cheque with order. Cheques may take up to 10 days to clear. Credit terms may be applied for if you order regularly. Terms are 30 days nett. Any debt outstanding for more than 30 days will be charged interest at 3% above NatWest base lending rate. Credit terms are reviewed annually and can be terminated at any time. Overseas customers are asked to pay in Sterling.

5. Company policy is to charge for prototypes. On the subsequent order a credit will be given representing 5% of the order value up to a maximum of the prototype price.

6. It is the responsibility of the purchaser to ensure the product they have chosen is entirely suitable for the purpose for which it is ultimately intended.

7. A single sample may be supplied where 3rd party approval is required before the purchase of bulk orders. Company policy is to charge samples at list price. Carriage may be reduced depending on the weight and size of the item.

8. All goods MUST be examined ON RECEIPT and if damaged, the carrier's note endorsed accordingly. 3D DISPLAYS LTD MUST BE INFORMED OF DAMAGE IMMEDIATELY. Failure to comply will cause the carrier to refute the claim, then the entire cost must be borne by the customer.

9. An order is accepted by 3D Displays either by means of a Sales Order, Despatch Confirmation or despatch of goods. Orders once accepted cannot be cancelled or returned without the agreement of 3D Displays Ltd and the customer shall pay for any costs, claims, losses or expenses incurred as a result of that cancellation. Under no circumstances may orders for custom made products be cancelled.

10. 3D Displays Ltd does not accept the return of goods without giving prior consent. Under no circumstances will custom made products be returnable. Returns on stock products in good condition may be possible within 14 days at the discretion of 3D Displays Ltd. The customer shall incur the full cost of returning the goods and shall take reasonable care to ensure that 3D Displays Ltd receive the goods and that they are not damaged in transit.

A re-stocking charge of £5 +10% of the invoiced value will be levied on businesses returning goods.

11. Goods supplied shall be the customer's risk immediately on receipt. Title to the goods shall remain with 3D Displays Ltd until the Customer has paid all sums due whether in respect of this contract or otherwise. In cases of non-payment 3D Displays Ltd shall be entitled to repossess the goods.

Full terms and conditions can be found on our website www.3ddisplays.co.uk

Why not come and see us at these exhibitions?

SPRINGFAIR

3-7 February 2019 NEC Birmingham
Volume sector opens 2 February 2019



AUTUMNFAIR

2-5 September 2018 NEC Birmingham
Volume sector opens 1 September 2018



3D Displays Limited
Upper Brents Industrial Estate
Faversham
Kent ME13 7DZ

Tel: 01795 532947

e-mail: info@3ddisplays.co.uk
www.3ddisplays.co.uk



©3D Displays Ltd 2019

Hundreds of exciting products. Easy to order.
Fast delivery from stock. Worldwide distribution.